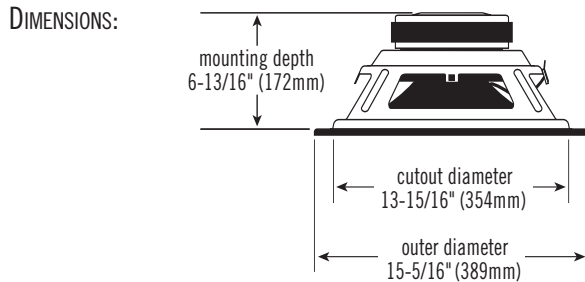




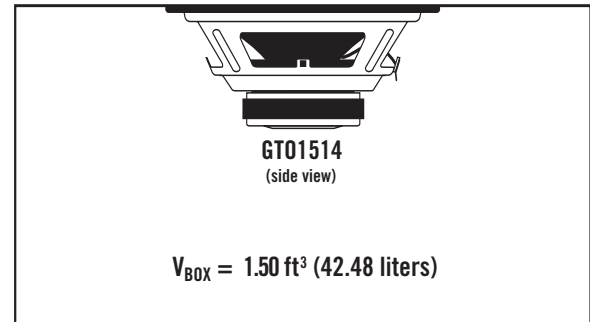
# GT01514 15" Woofer – Technical Data

## SPECIFICATIONS

DIAMETER:	15" (381mm)
SENSITIVITY (2.83V @ 1M):	93dB
POWER HANDLING:	350W <sub>RMS</sub> (1400W <sub>PEAK</sub> )
FREQUENCY RESPONSE:	23Hz ~ 400Hz
NOMINAL IMPEDANCE:	4 OHMS
VOICE COIL DIAMETER:	2.0" (51.0mm)



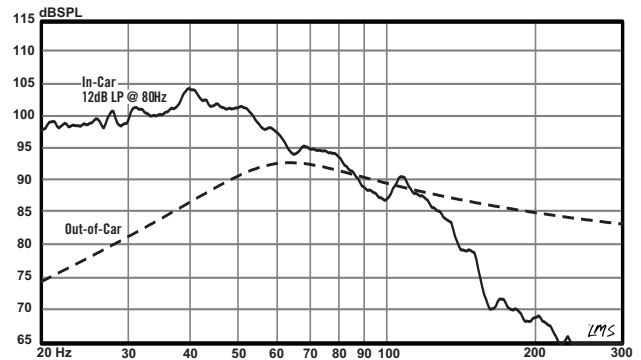
## SEALED BOX VOLUME (INCLUDES DRIVER DISPLACEMENT)



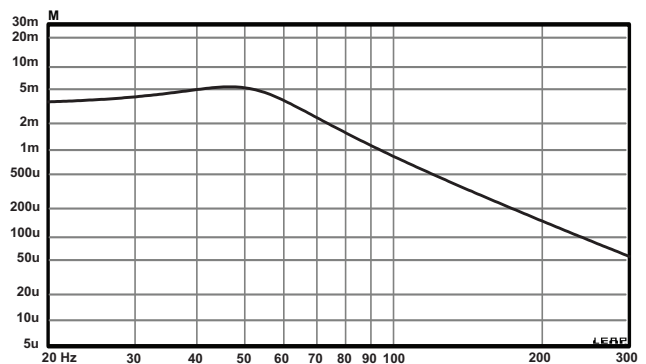
## THIELE-SMALL PARAMETERS

VOICE COIL DC RESISTANCE:	$R_{\text{EVC}}$ (OHMS) . . . . . 3.80
VOICE COIL INDUCTANCE @ 1kHz:	$L_{\text{EVC}}$ (MH) . . . . . 3.05
DRIVER RADIATING AREA:	$S_{\text{D}}$ (IN <sup>2</sup> ) . . . . . 128.7
	$S_{\text{D}}$ (M <sup>2</sup> ) . . . . . 830.00
MOTOR FORCE FACTOR:	$BL$ (TM) . . . . . 17.13
COMPLIANCE VOLUME:	$V_{\text{AS}}$ (FT <sup>3</sup> ) . . . . . 5.42
	$V_{\text{AS}}$ (LITERS) . . . . . 153.50
SUSPENSION COMPLIANCE:	$C_{\text{MS}}$ (μM/N) . . . . . 156.00
MOVING MASS, AIR LOAD:	$M_{\text{MS}}$ (GRAMS) . . . . . 257.00
MOVING MASS, DIAPHRAGM:	$M_{\text{MD}}$ (GRAMS) . . . . . 243.00
FREE-AIR RESONANCE:	$F_{\text{S}}$ (HZ) . . . . . 25.10
MECHANICAL Q:	$Q_{\text{MS}}$ . . . . . 7.08
ELECTRICAL Q:	$Q_{\text{ES}}$ . . . . . 0.52
TOTAL Q:	$Q_{\text{TS}}$ . . . . . 0.49
MAGNETIC-GAP HEIGHT:	$H_{\text{AG}}$ (IN) . . . . . 0.31
	$H_{\text{AG}}$ (MM) . . . . . 8.00
VOICE COIL HEIGHT:	$H_{\text{VC}}$ (IN) . . . . . 1.45
	$H_{\text{VC}}$ (MM) . . . . . 37
MAXIMUM EXCURSION:	$X_{\text{MAX}}$ (IN) . . . . . 0.57
	$X_{\text{MAX}}$ (MM) . . . . . 14.50

## SEALED ENCLOSURE FREQUENCY RESPONSE @ 2.83V



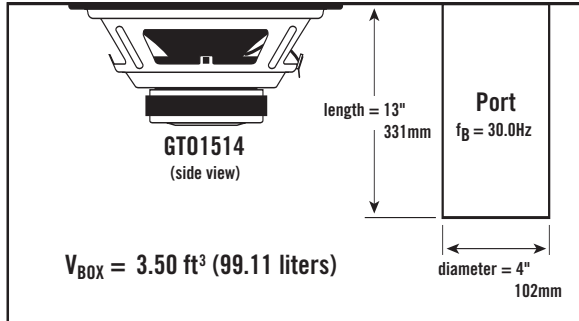
## SEALED ENCLOSURE CONE EXCURSION @ 350W



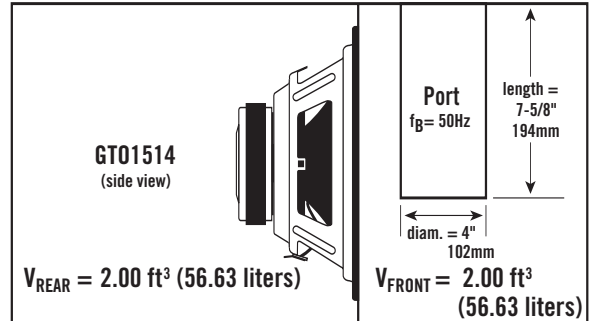


# GT01514 15" Woofer – Technical Data

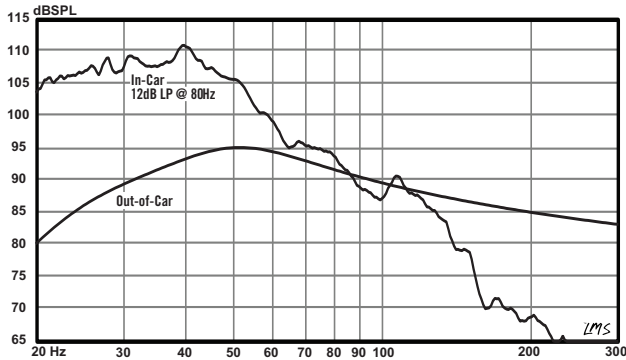
## VENTED BOX VOLUME (INCLUDES DRIVER/PORT DISPLACEMENTS)



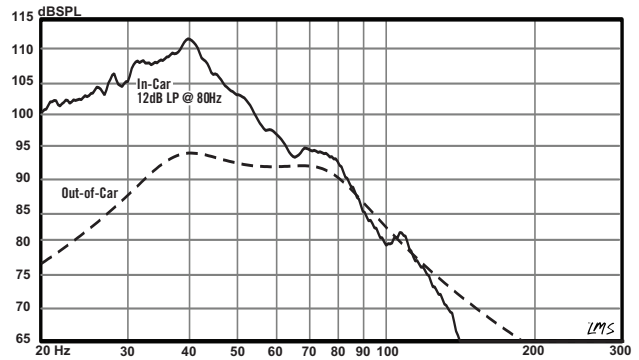
## BAND-PASS BOX VOLUME (INCLUDES DRIVER/PORT DISPLACEMENTS)



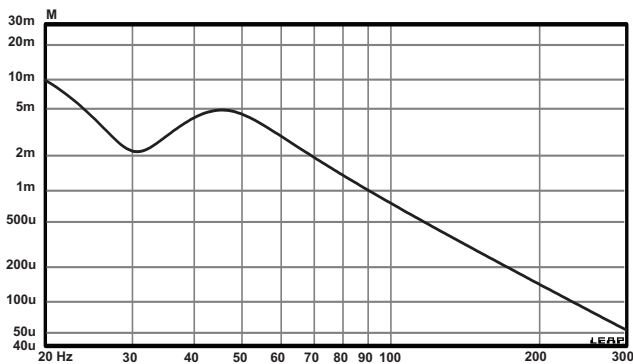
## VENTED ENCLOSURE FREQUENCY RESPONSE @ 2.83V



## BAND-PASS ENCLOSURE FREQUENCY RESPONSE @ 2.83V



## VENTED ENCLOSURE CONE EXCURSION @ 350W



## BAND-PASS ENCLOSURE CONE EXCURSION @ 350W

